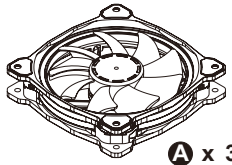
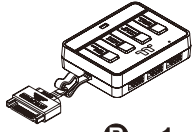


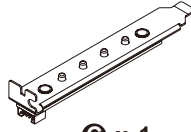
Parts List



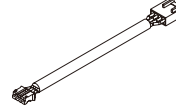
A x 3
Fan



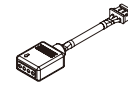
B x 1
Controller



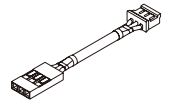
C x 1
PCI Slot Controller



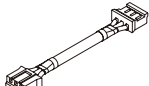
D x 1
PWM Cable



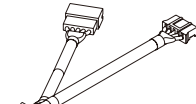
E x 1
Mainboard Signal Bridge Cable (ASUS/MSI)



F x 1
Mainboard Signal Bridge Cable (GIGABYTE)



G x 1
LED Signal Bridge Cable



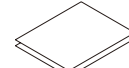
H x 1
Bridge Cable



I x 12
Long Screw



J x 12
Short Screw



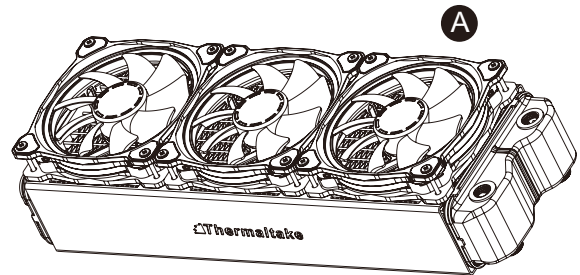
K x 1
Velcro

Installation Guide



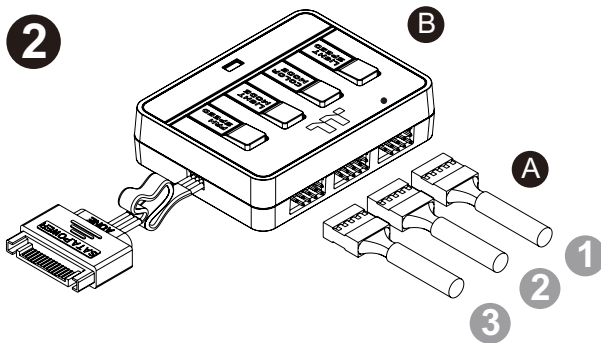
Please turn off the power before installation.

1



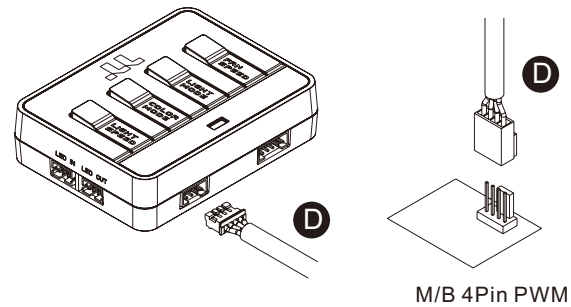
Install the fans properly onto the radiator.

2



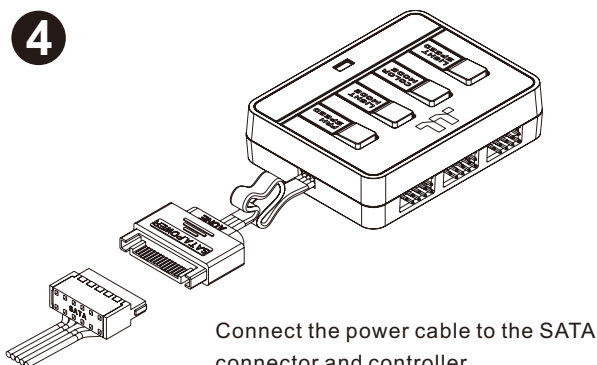
Connect the fan cable in numerical order onto the controller. (Start from port 1)

3



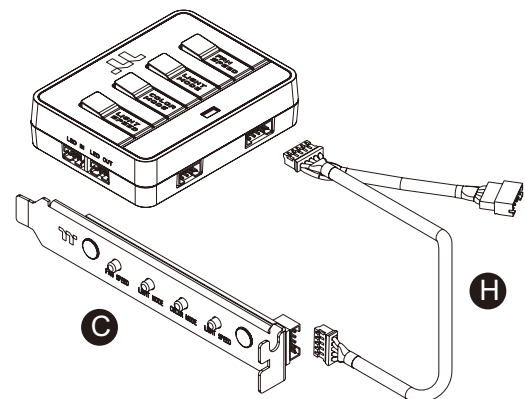
Connect the PWM cable onto the mainboard (4Pin PWM) and controller.

4



Connect the power cable to the SATA connector and controller.

5



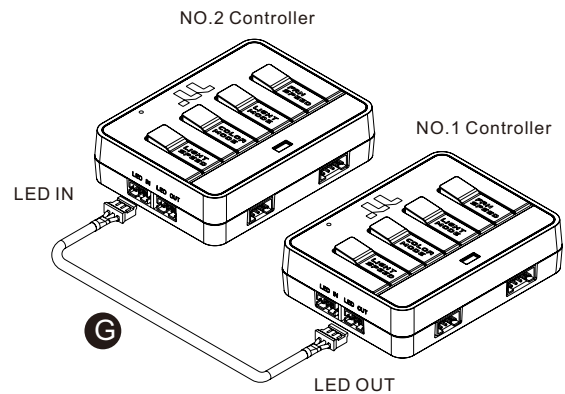
If you want use the PCI Slot Controller, connect the bridge cable to the PCI Slot Controller and controller.

If you want more...

CAUTION

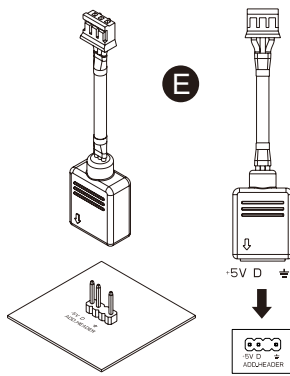
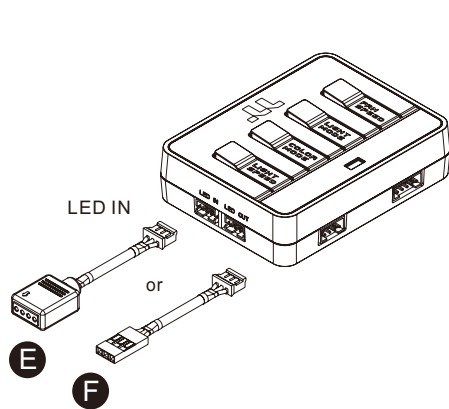
1. Please power off the PC and check the Positive and Negative ends on the connector before connecting the cable to mainboard. Connecting the wrong end can damage the controller.
2. Mainboard software can only control the LED color, once Mainboard software is activated, LED color function on the controller is disabled. The fan speed is controlled by the controller.

If you want to connect two or more connectors, you can use the LED signal bridge cable to connect the controllers.



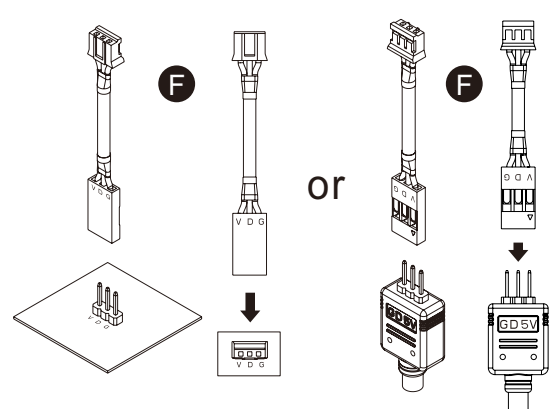
If you want to control LED color via mainboard software, you can use the mainboard signal bridge cable to connect the controllers.

ASUS/MSI



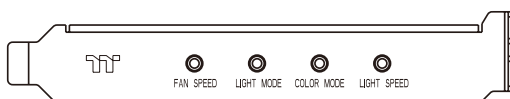
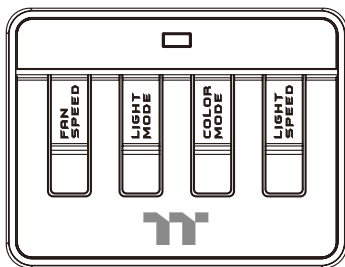
Aura Addressable Strip Header(s)

GIGABYTE



AOURS RGB Fusion with Digital LEDs

Controller



1. Fan Speed:

Switch over between 2 fan speed modes
LED indicator shows Blue : Normal mode 800~1500 rpm
LED indicator shows Red : Low noise mode 400~1000 rpm

2. Light Mode:

Switch over between 7 LED modes.
 Wave, Full Lighted, RGB Spectrum, Flow, Ripple, Pulse, Blink

3. Color Mode:

When light mode is in Full Lighted, Ripple, Pulse and Blink:
 Switch over 7 LED colors. Red, Yellow, Green, Teal, Blue, White, Purple

When light mode is in RGB Spectrum:

Click to memorize and lock the color you want, click again to unlock the 256 colors auto rotation.

When light mode is in Wave and Flow :

LED color can not be adjusted.

4. Light Speed:

Switch over between 4 light speed modes.
 Slow, Normal, Fast, Extreme