

V150 TG ARGB Breeze

User's Manual
Benutzerhandbuch
Mode d'emploi
Manual del usuario
Manuale dell'utente
Manual do Utilizador

安裝說明書
用戶手冊
ユーザーズマニュアル
Руководство пользователя
kullanıcı elkitabı
(EEE Yönetmeliğine Uygundur)
คู่มือการใช้งาน



© 2021 Thermaltake Technology Co., Ltd. All Rights Reserved. 2020.12
All other registered trademarks belong to their respective companies. www.thermaltake.com



TT Premium



TT Premium

To continue achieving the corporate mission of delivering the perfect user experience, Thermaltake developed "TT Premium" with the essence of combining supreme quality products with a new logo design. TT Premium is far more than just a guarantee of quality. Behind the name, it represents the passion in DIY, Modding and Thermaltake's desire to be the most innovative brand in the PC hardware market. To satisfy the demand of the high-end PC users, TT Premium follows its core values of Excellent Quality, Unique Design, Diverse Combinations and Boundless Creativity to provide a high performance PC product for every enthusiast. <http://tppremium.com>

Tt LCS-Liquid Cooling Support Certification



Tt LCS Certified is a Thermaltake exclusive certification applied to only products that pass the design and hardcore enthusiasts standards that a true LCS chassis should be held to. The Tt LCS certification was created so that we at Thermaltake can designate to all power users which chassis have been tested to be best compatible with extreme liquid cooling configurations to ensure you get the best performance from the best features and fitment.

Join Tt Community To Receive Benefits



Dear Valued Customer,
Thank you for choosing Thermaltake.
As a new user we value your thoughts and opinions and your feedback is important to us. We at Thermaltake would like to use this opportunity to invite you to join our Community Forums. Register today to start enjoying the full benefits of our community.



Benefits of being a member:

- Quick and responsive user support
- Receive help and advice with new builds
- Keep up to date with new product releases
- Share your thoughts and builds with the community
- Enter monthly contests and giveaways

Brand official website
<http://www.thermaltake.com/>

Global Facebook
<https://www.facebook.com/ThermaltakeInc>

Taiwan Facebook
<http://www.facebook.com/ThermaltakeTW>

Global community forums
<http://community.thermaltake.com>

CONTENTS










Chapter 1. Product Introduction

1.0	Specification	01
1.1	Accessory	02
1.2	Warning and Notice	03


Chapter 2. Installation Guide

2.0	Side Panel Disassembly	06
2.1	Power Supply Unit (PSU) Installation	07
2.2	Motherboard Installation	08
2.3	3.5" & 2.5" HDD Installation	09
2.4	PCI Card Installation	11
2.5	Air Cooling Installation	12
2.6	AIO Liquid Cooling Installation	13
2.7	I/O Connection	14
2.8	ARGB Control Instruction	15

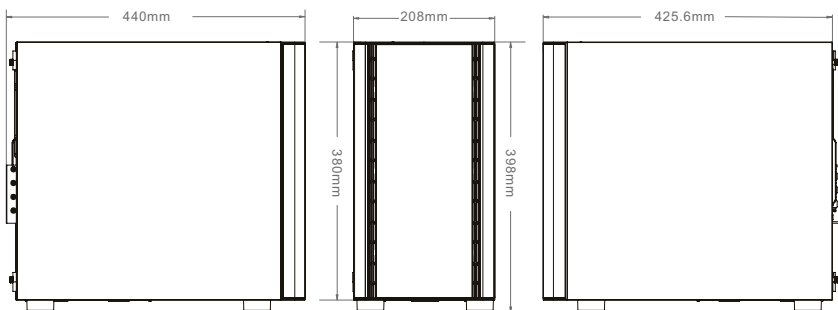
Model	V150 TG ARGB Breeze
Case Type	Micro Case
Dimension (H*W*D)	398 x 208 x 440 mm (15.67 x 8.19 x 17.32 inch)
Side Panel	Tempered Glass x 1
Material	SPCC
Cooling System	Front (intake) : 120 x 120 x 25 mm ARGB fan (1000 rpm, 27.2 dBA) x 2 Rear (exhaust) : 120 x 120 x 25 mm ARGB fan (1000 rpm, 27.2 dBA) x 1
Drive Bays	2 x 2.5" or 2 x 3.5"
Expansion Slots	4
Motherboards	6.7" x 6.7" (Mini ITX), 9.6" x 9.6" (Micro ATX)
I/O Port	USB 3.0 x 1, USB 2.0 x 2, HD Audio x 1
PSU	Standard PS2 PSU (optional)
Fan Support	Front: 2 x 120 mm, 1 x 120 mm 2 x 140 mm, 1 x 140 mm Top: 1 x 120 mm, 1 x 140 mm Rear: 1 x 120 mm
Radiator Support	Front: 1 x 240 mm, 1 x 120 mm 1 x 280 mm, 1 x 140 mm Rear: 1 x 120 mm
Clearance	CPU cooler height limitation: 155 mm VGA length limitation: 350 mm (Without Front Fan) PSU length limitation: 220 mm

Figure	Parts Name	Q'ty	Used for
	Screw M3 x 5mm	12	Motherboard
	Screw M3 x 5mm	10	2.5" SSD
	HDD/SSD Rubber	16	2.5" SSD / 3.5" HDD
	Screw #6-32 x 10mm	10	3.5" HDD
	Screw #6-32 x 6mm	4	Power
	Stand-off #6-32 x 6mm	2	Motherboard
	Screw T5 x 10mm	4	Case Fan
	Cable Tie	5	Cable Management
	Buzzer	1	Motherboard Alarm

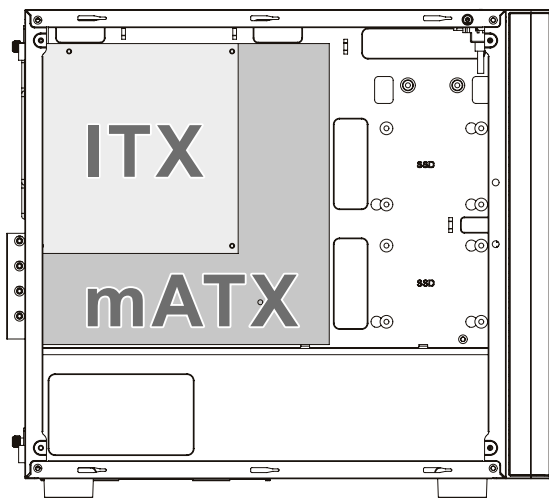
For ARGB Version Only

Figure	Parts Name	Q'ty	Used for
	MB Signal Bridge Cable (ASUS/MSI/ASROCK/GIGABYTE)	1	LED Signal Sync

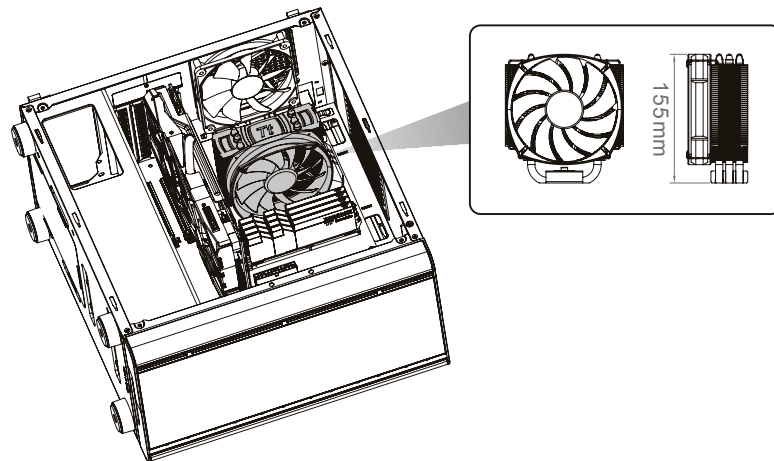
Chassis dimension



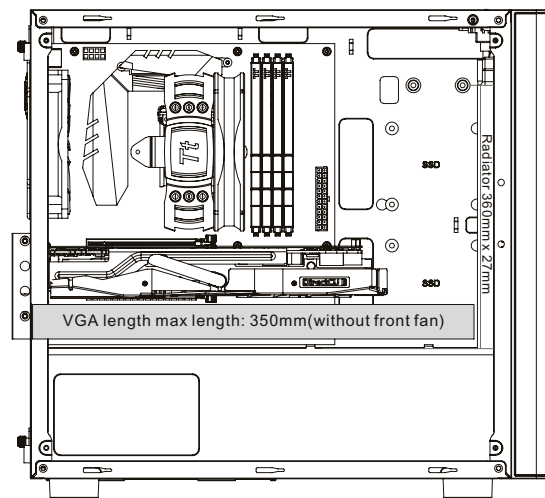
Motherboard Compatibility: ITX / mATX
(Up to 244mm wide)



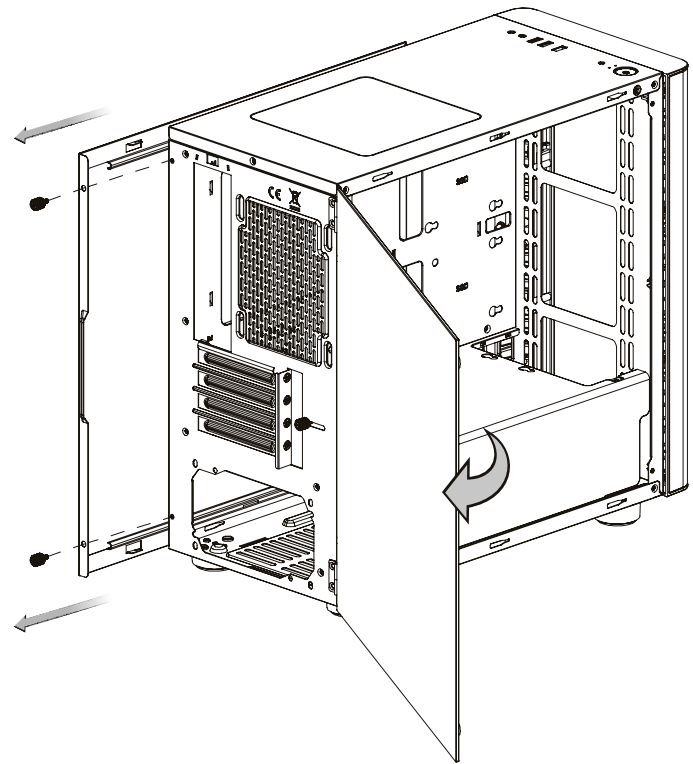
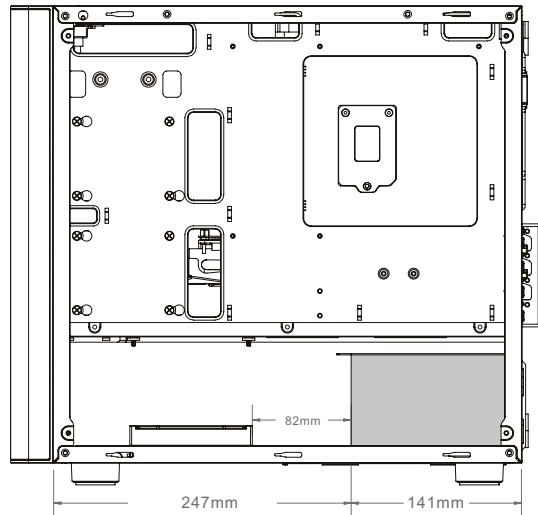
CPU cooler max height: 155mm

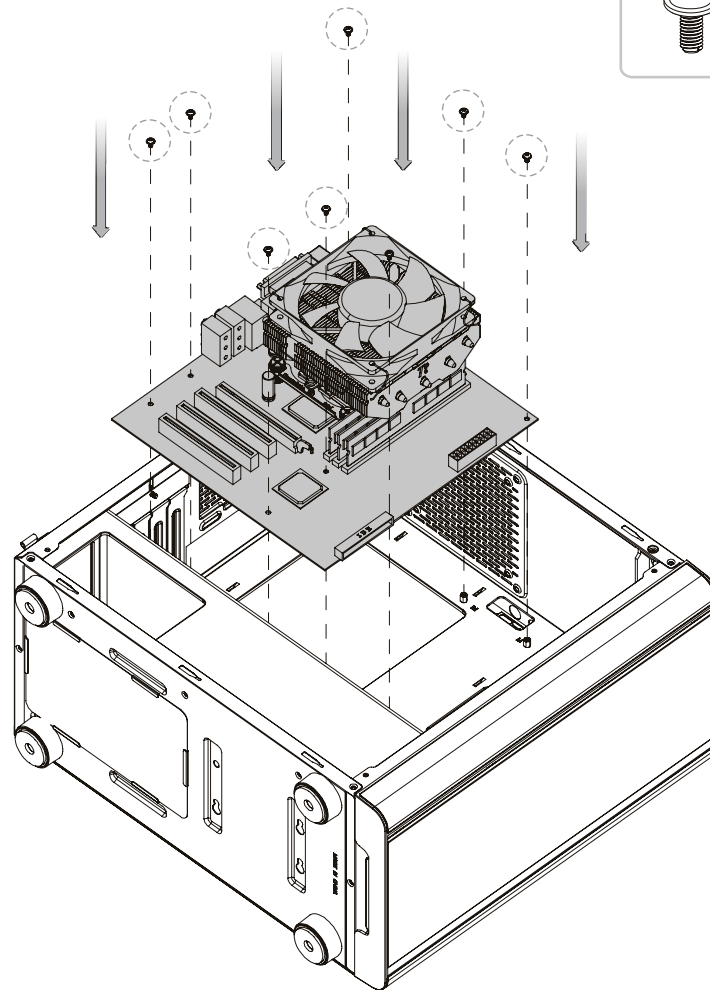
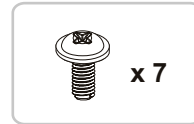
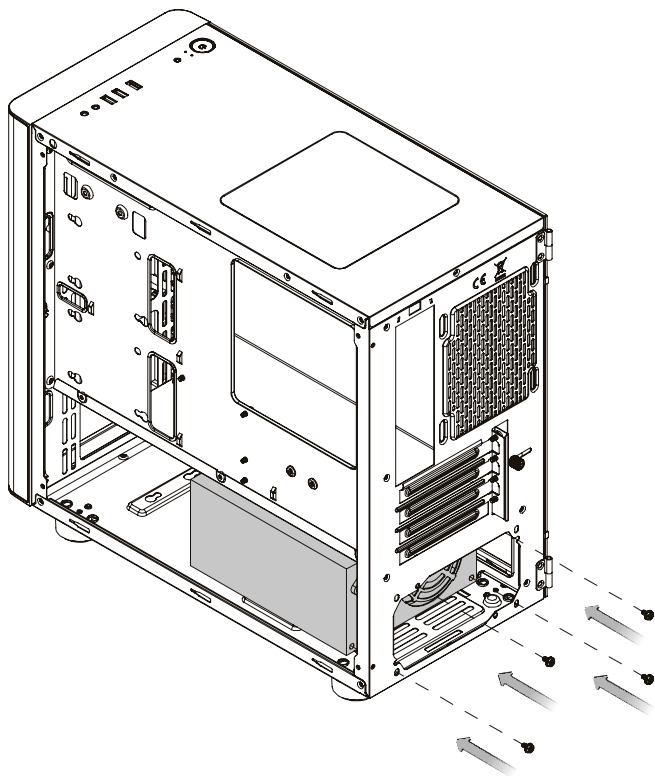


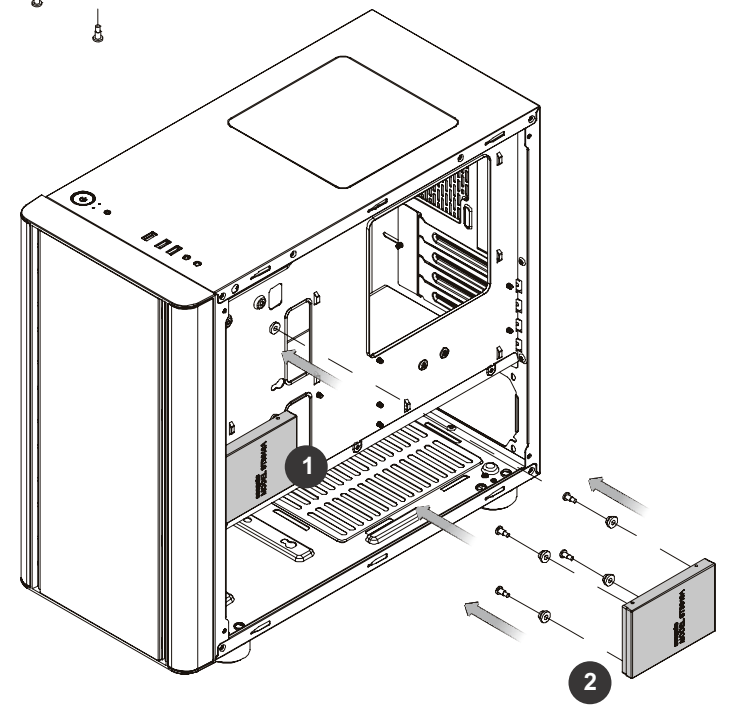
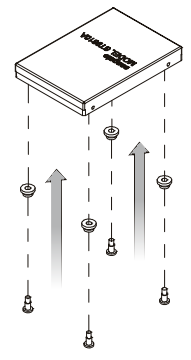
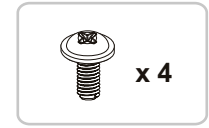
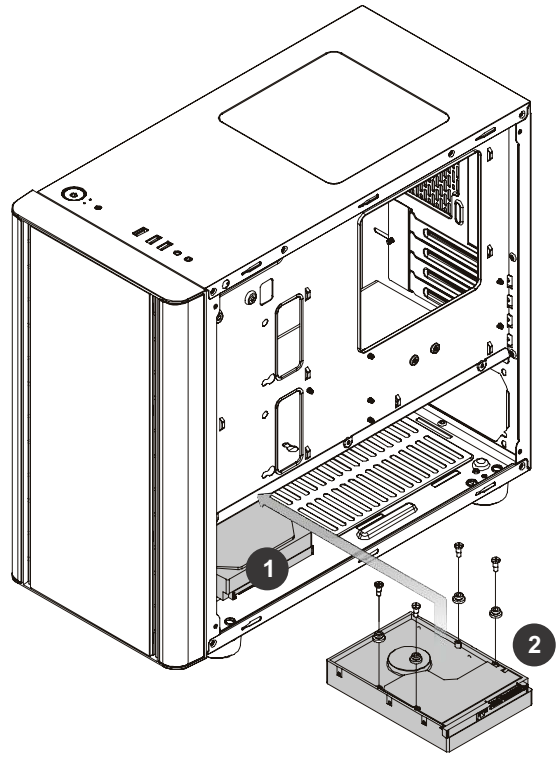
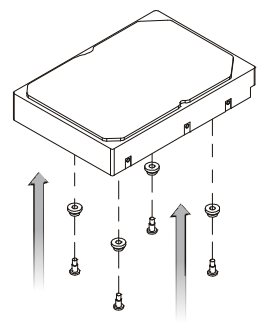
VGA length max length: 350mm

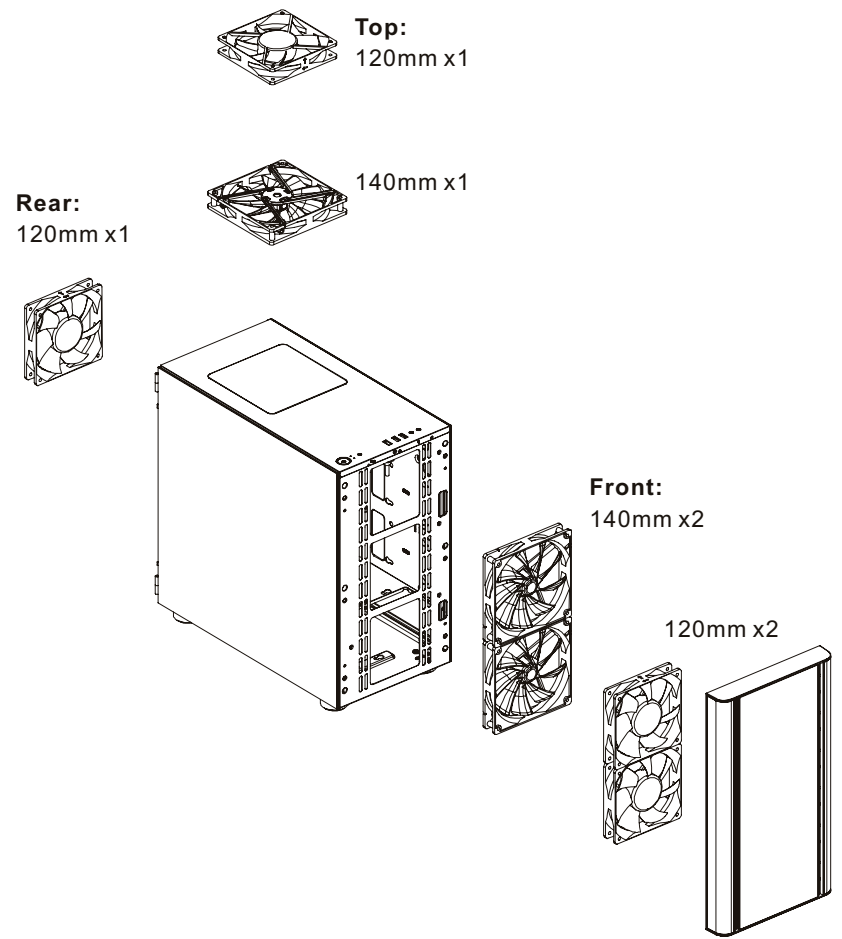
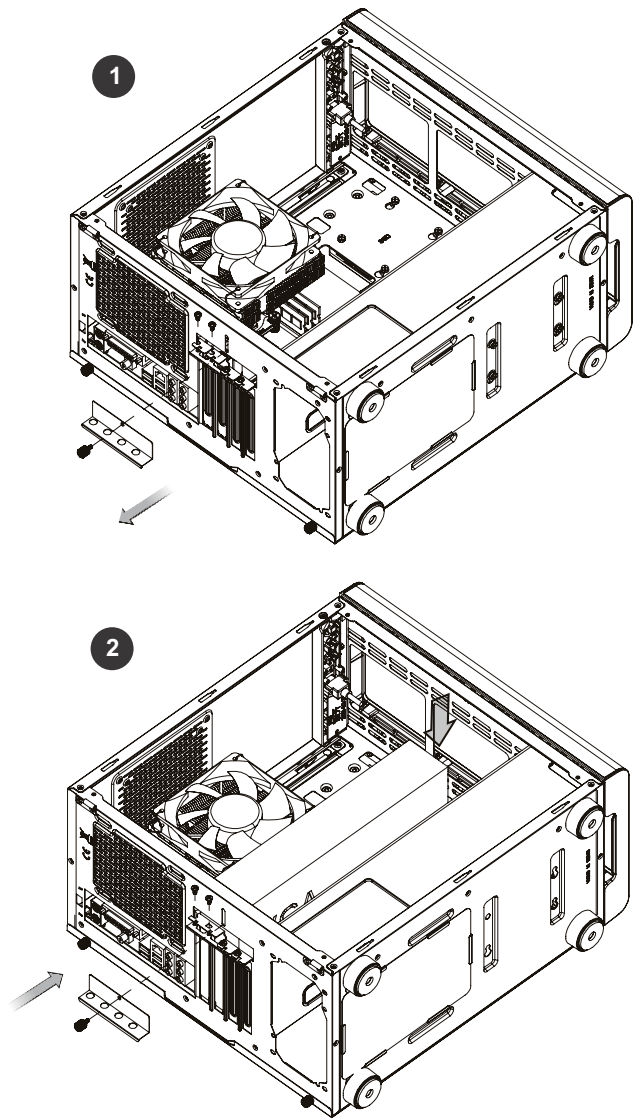


PSU max length: 220mm

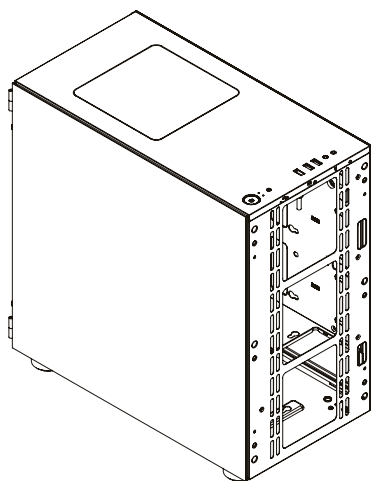
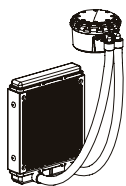




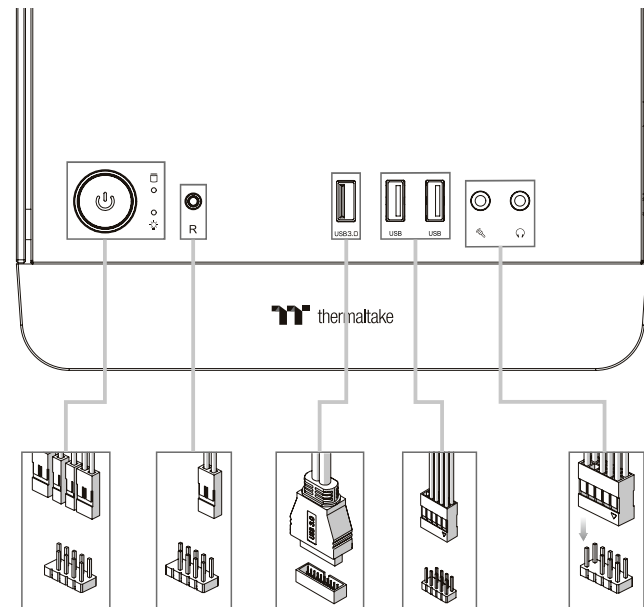
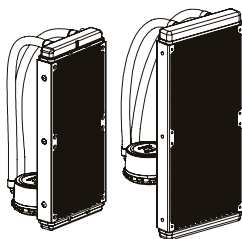




Rear:
120mm x 1



Front:
240mm x 1
or
280mm x 1



POWER SW
POWER LED
HDD LED
Reset
USB 3.0
USB 2.0
HD Audio

I/O Port



- Wave Mode** Mode 1
- Flow Mode** Mode 2
- RGB Lighting** Mode 3 (Single Color)
- Radar Mode** Mode 4~10
(Red, Yellow, Green, Cyan, Blue, White, Purple)
- Breath Mode** Mode 11~18
(RGB, Red, Yellow, Green, Cyan, Blue, White, Purple)
- Full Lighted Mode** Mode 19
- Single Color** Mode 20~26
(Red, Yellow, Green, Cyan, Blue, White, Purple)
- Light Off** Mode 27

※ Long press on RGB button for 3 seconds, fan will blink twice which now are controlled by MB software. And vice versa.

How to connect MB

